

High-Rise LED Light Garden

Assembly of this unit should take in the region of 30 minutes and is most easily achieved by two people, although still possible by one person. All the tools required for the assembly are included. Please take time to ensure that the parts contained correspond to the list of parts detailed on the table below. For easy identification, each part is also referenced on the illustrations for Steps 1 to 7 in these Assembly Instructions.

Part Ref.	Part Description	Quantity
A	Side Frame Upper - Left	1
B	Side Frame Lower - Left	1
C	Side Frame Upper - Right	1
D	Side Frame Lower - Right	1
E	Horizontal Support Bars	13
F	Swivel Castors with Lock	2
G	Swivel Castors	2
H	M6 Screws (10mm long)	4
I	M8 Screws (35mm long)	26
J	Tool Set (2 x Allen Keys & 1 Spanner)	1
K	LED Grow Light Fixtures	3
L	End Hooks (for LED Light Fixtures)	6
M	M4 Screws (6mm long)	12
N	Power Cord	1
O	Cable Ties	3
P	Plastic Support Trays	3

We are here to help you get the best out of your High-Rise LED Light Garden so if you have any questions about this product, feel free to email us at info@garlandproducts.com.

This item is one of a number of uniquely designed, highly practical garden products offered by **Garland Products Ltd** and our subsidiary **Greenhouse Sensation**. Please visit our websites to view our full range.



Garland Products Ltd, First Avenue, The Pensnett Estate, Kingswinford, West Midlands DY6 7TZ

www.garlandproducts.com

www.greenhousesensation.co.uk

Location Advice

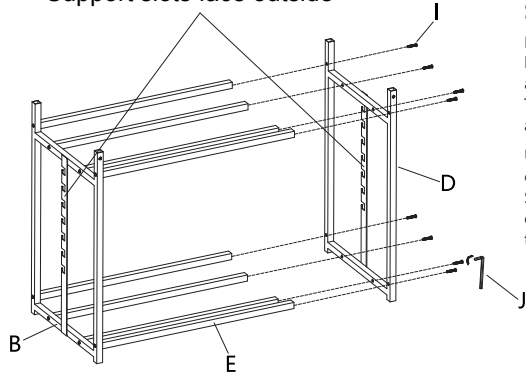
Select a suitable level location for your High-Rise LED Light Garden. Avoid areas which are close to radiators as well as those prone to cold draughts. The finished assembly will measure 106cm (42") wide by 42cm (16.5") deep x 181cm (71") high.

If you wish to connect the Power Cord direct to mains power, your plug socket will need to be within 1.2 metres (4 ft) from the side where the LED Grow Light Fixtures connect to the Power Cord. If this is not possible, you will need to use an extension lead (not included).

High-Rise LED Light Garden

Assembly Instructions

Support slots face outside



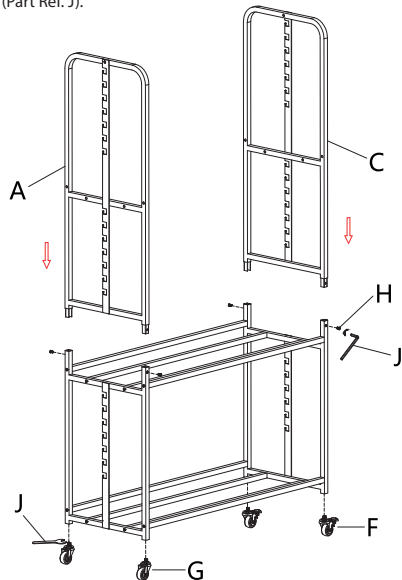
STEP 1

It is important to note that all the side frames feature brackets with a series of support slots which allow you to alter the heights of each of the LED Grow Light Fixtures. These slots must be positioned on the outside of the assembled frame.

Use 8 of the Horizontal Support Bars (Part Ref. E) to connect the Side Frame Lower Left (Part Ref. B) to the Side Frame Lower Right (Part Ref. D). This will require 16 of the M8 Screws (Part Ref. I) which can be secured using the larger of the Allen Keys supplied (Part Ref. J).

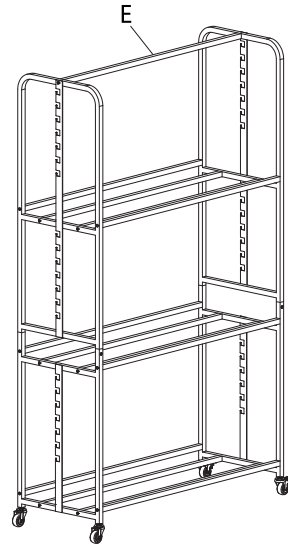
STEP 2

Insert the 4 Swivel Castors (Part Ref. F & G) into the base of the partly assembled frame as illustrated. 2 of the Swivel Castors (Part Ref. F) feature a push down lock which can "anchor" the finished frame if required. Tighten the Swivel Castors into position using the spanner included in the Tool Set (Part Ref. J). The Side Frame Upper Left (Part Ref. A) and the Side Frame Upper Right (Part Ref. C) should then be slotted into position on to the partly assembled lower frame. Use the 4 M6 Screws (Part Ref. H) to secure the Upper Side Frames into position, using the smaller of the Allen Keys supplied (Part Ref. J).



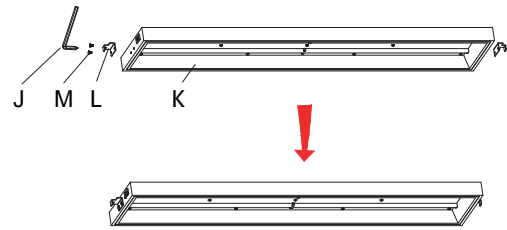
STEP 3

Use the remaining 5 Horizontal Support Bars (Part Ref. E) to connect the Side Frame Upper Left (Part Ref. A) to the Side Frame Upper Right (Part Ref. C). This will require the remaining 10 M8 Screws (Part Ref. I). As in Step 1, use the larger of the Allen Keys supplied (Part Ref. J). The assembly of the frame is now complete.



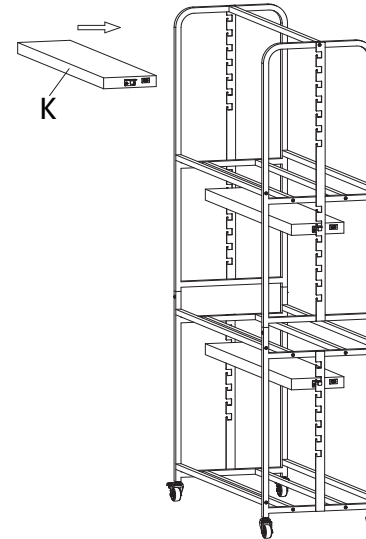
STEP 4

Fix an End Hook (Part Ref. L) to each end of the 3 LED Grow Light Fixtures (Part Ref. K). Each End Hook requires 2 M4 Screws (Part Ref. M) which can be secured using the screwdriver head featured on the smaller of the Allen Keys supplied (Part Ref. J).



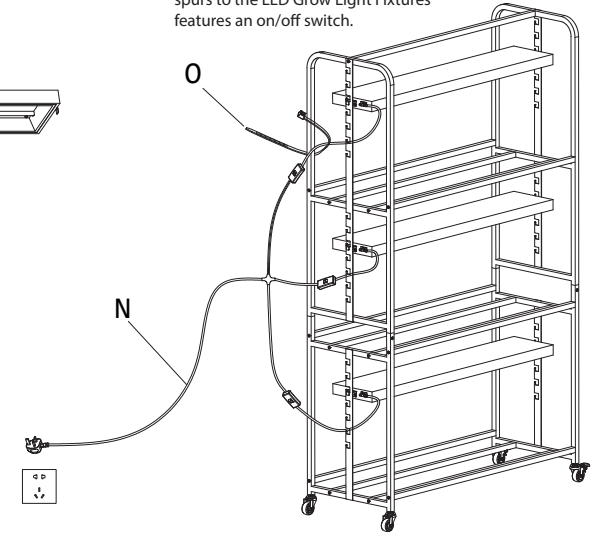
STEP 5

Position the 3 LED Grow Light Fixtures (Part Ref. K) on to the assembled frame. The End Hooks at the end of each LED Grow Light Fixture will locate into the open support slots. *Caution - check and double check that the LED Grow Light Fixtures are level and that the End Hooks are positively engaged on both sides before letting go!* Ensure that the power cord connections ports on the LED Grow Light Fixtures are all on the same side and positioned on the side closest to your chosen plug socket.



STEP 6

Connect the Power Cord (Part Ref. N) to each of the LED Grow Light Fixtures. The Power Cord features a 3-way splitter with a short central spur (to service the middle LED Grow Light Fixture) and 2 longer spurs to service the upper and lower LED Grow Light Fixtures. The trailing cords can be secured to the frame using the Cable Ties (Part Ref. O) but do check that you leave sufficient free cord so that each LED Grow Light Fixture can access all the height adjustment slots on its given level. Note that each of the power supply spurs to the LED Grow Light Fixtures features an on/off switch.



STEP 7

Position the 3 Plastic Support Trays (Part Ref. P) on the frame under each of the LED Grow Light Fixtures. Your High-Rise Grow Light Garden is now fully assembled.

